

Válvulas de Bola PTFE Lined DIN



High Performance

The **heavy duty construction** meets the stringent requirements of chemical process industry.

Specially designed for **low torque, bubble tight shut-off** and **minimal pressure drop**.

Virtually **maintenance free** and give long time service due to their quality and simplicity of design.

Outstanding corrosion resistance and high degree of safety in various applications.



PTFE Properties

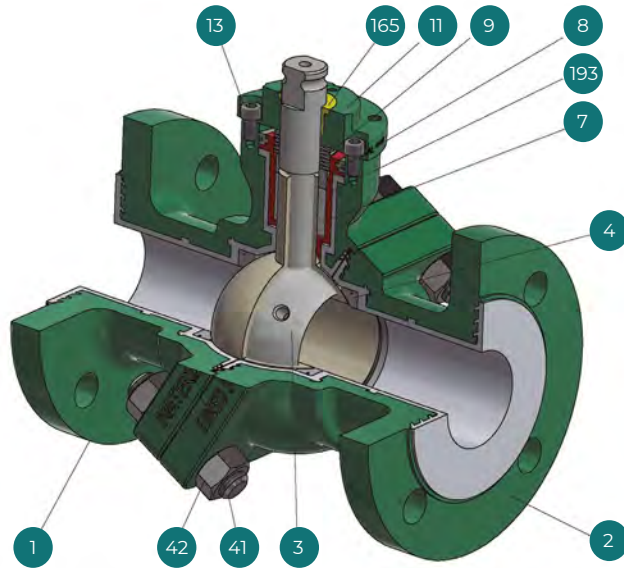
- Very high inertia, due to the presence of fluorine atoms, which, due to their compact structure, shield the carbon atoms of the polymer chain from potential chemical damages.
- It is insoluble in every solvent under 300°C.
- It has a wide range of working temperatures to a maximum temperature of 200°C.
- Extremely low adhesiveness, due to its reduced superficial tension
- Lowest friction coefficient amongst every other existing solid materials
- It is extremely hydrophobic and completely hydrolysis-proof (it is used as an anti-corrosive) barrier and it can hold its characteristics even after years of being in contact with fluids).
- Chemically pure and inert.
- Microbiologically resistant, it doesn't let bacteria and fungi proliferate
- Electrically insulating
- Non-flammable
- It holds up very well against atmospheric and environmental ageing, even when it faces high temperatures or when in contact with solvents, oils, oxidizing agents and UV rays.
- Good mechanical properties, especially when employed in presence of vibration or flexions.





Materials

| Position | Description | DIN |
|----------|----------------|-----------------------|
| 1 | Body 1 | 1.0619+PFA |
| 2 | Body 2 | 1.0619+PFA |
| 3 | Ball-stem | 1.4470 + PFA |
| 4 | Seat | PTFE (Modified) |
| 7 | Stem packing | PTFE (Modified) |
| 8 | Gland packing | S.S.1.4401 |
| 9 | Spring washer | S.S. AISI 301 |
| 11 | Cover | S.S. 1.4401 |
| 13 | Cover bolt | A4-70 |
| 16 | Handle | A351 CF8M/WCC |
| 17 | Handle bolt | S.S. (316)/1.045(8.8) |
| 22 | Stop pin | S.S. AISI 316 |
| 41 | Stud | A2-70 |
| 42 | Nut | A2-70 |
| 165 | Stem bearing | PTFE (modified)+FC |
| 193 | Packing Casing | PFA+AISI 316 |



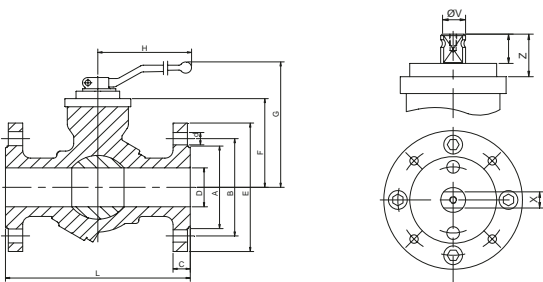
PFA thickness-minimum 3 mm

Range

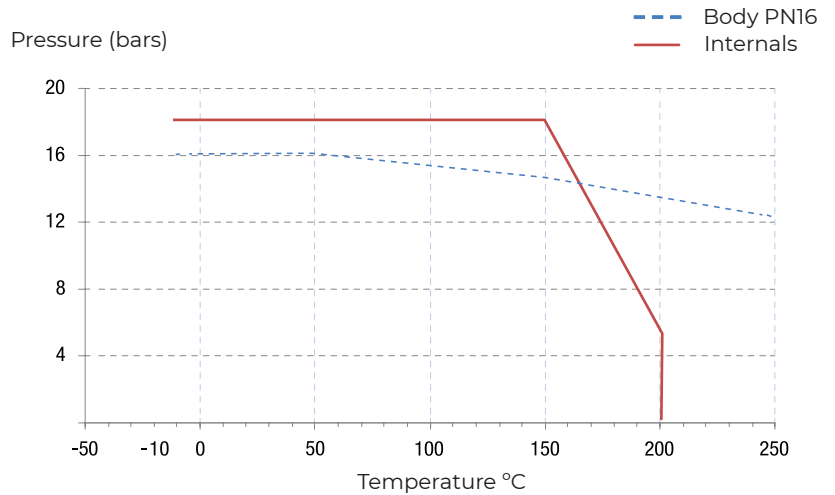
PL 24 T

| SIZE | RATING |
|----------|--------|
| DN15-150 | PN16 |

Dimensions



Pressure / Temperature



| DN | PN | D | L | E | A | B | C | F | G | H | V | X | Y | Z | nx d | ISO5211 | Torque | MAST | Weight |
|-----|----|-----|-----|-----|-----|-----|----|-----|-----|-----|----|----|----|------|--------|---------|--------|------|--------|
| 15 | 16 | 15 | 130 | 95 | 45 | 65 | 16 | 75 | 185 | 132 | 14 | 11 | 11 | 13,5 | 4 x 14 | F05 | 8 | 82 | 3 |
| 25 | 16 | 25 | 160 | 115 | 68 | 85 | 18 | 88 | 185 | 145 | 18 | 14 | 17 | 19,5 | 4 x 14 | F05 | 14 | 142 | 5 |
| 40 | 16 | 40 | 200 | 150 | 88 | 110 | 18 | 108 | 293 | 178 | 22 | 17 | 20 | 30 | 4 x 18 | F07 | 31 | 338 | 9 |
| 50 | 16 | 50 | 230 | 165 | 102 | 125 | 18 | 114 | 293 | 184 | 22 | 17 | 20 | 30 | 4 x 18 | F07 | 46 | 338 | 13 |
| 65 | 16 | 65 | 290 | 185 | 122 | 145 | 18 | 126 | 293 | 196 | 22 | 17 | 20 | 30 | 8 x 18 | F07 | 55 | 338 | 20 |
| 80 | 16 | 80 | 310 | 200 | 138 | 160 | 20 | 128 | 450 | 222 | 28 | 22 | 22 | 40 | 8 x 18 | F10 | 85 | 1070 | 26 |
| 100 | 16 | 100 | 350 | 220 | 158 | 180 | 20 | 142 | 450 | 236 | 28 | 22 | 22 | 40 | 8 x 18 | F10 | 110 | 1070 | 34 |
| 150 | 16 | 150 | | 285 | 212 | 240 | 22 | 188 | 740 | 297 | 36 | 27 | 35 | 50 | 8 x 22 | F12 | 380 | 2199 | 68 |

**Depending on service conditions

*Torque values have been measured P at maximum rating at room temperature

*Dimensions are in mm. *Torque & MAST are in Nm * Weight in Kilograms





P+L VALVES

Who we are

P+L Valves is a new PTFE lined ball valve, as the result of the union of two major European manufacturers, LMP Fluorcarbon, a leading company specialized in the PTFE Lining field, and Pekos Valves, ball valve manufacturer with more than 30 years in the industry.



 **Synerkos**
Technical Valve Solutions

www.synerkos.com

Pekos Fabricación

 Bidosola industrialdea K3
48142 Artea,
Vizcaya, Spain

LMP Fluorcarbon

 Via Galileo Ferraris, 3
21020 Monvalle VA,
Italy